

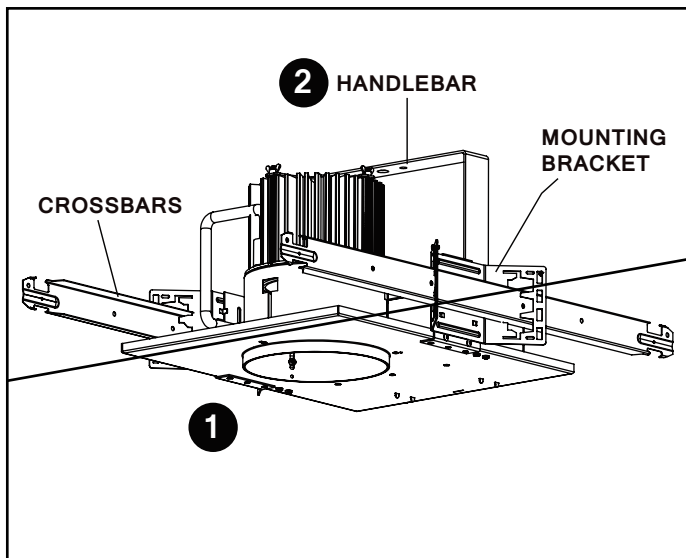
# ADVANCED HIGH CEILING 6" REV Series - New Construction



## IMPORTANT SAFETY INFORMATION. READ AND FOLLOW ALL SAFETY INSTRUCTIONS

IMPORTANT SAFETY INFORMATION. READ AND FOLLOW ALL SAFETY INSTRUCTIONS. Before wiring to power supply and during servicing or relamping, turn off power at fuse or circuit breaker. All servicing or relamping must be performed by qualified service personnel. Product must be grounded to avoid potential electric shock or other potential hazard. Product must be at locations and at heights and in a manner consistent with its intended use, and in compliance with Electrical Code and local codes.

**SAVE THESE INSTRUCTIONS FOR FUTURE REFERENCE.**



### Step 1

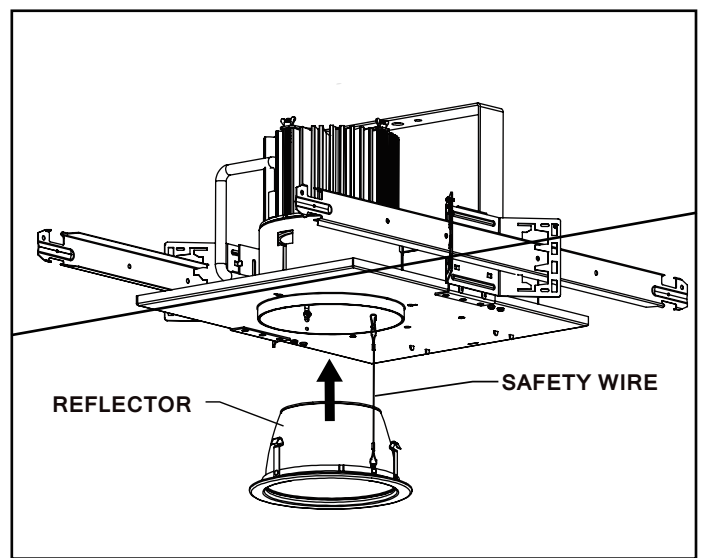
Mark the intended location of the luminaire and cut an 6.3"(160mm) diameter opening in the ceiling.

### Step 2

Install HANDLEBAR for fixture and separate REFLECTOR from fixture.

### Step 3

Install fixture using universal mounting bracket with slots for C-Channel (by others), bar hanger (by others) and 1/2" EMT (by others). Secure to joist or grid using hardware or wire. Adjust height as needed.



### Step 4

Make power connections. See Circuit Diagram below.

### Step 5

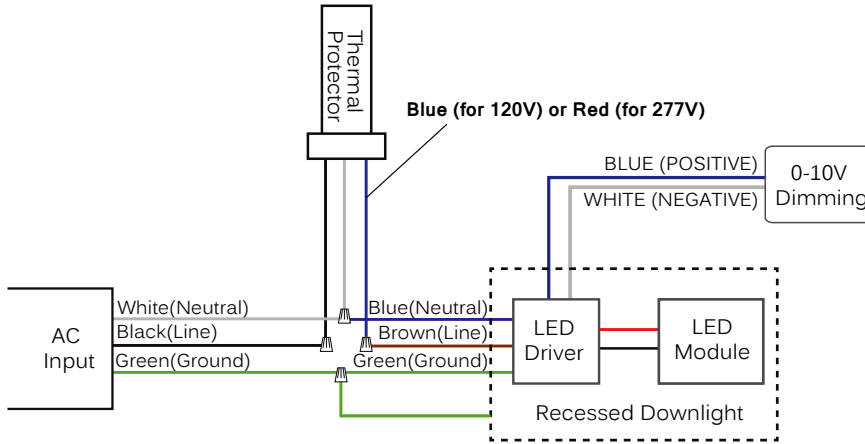
Connector safety wire and push reflector into frame ensuring the trim is flush to the ceiling.

# ADVANCED HIGH CEILING 6" REV Series - New Construction

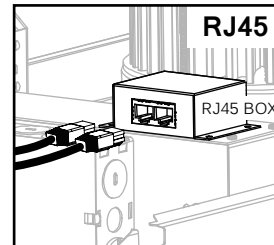
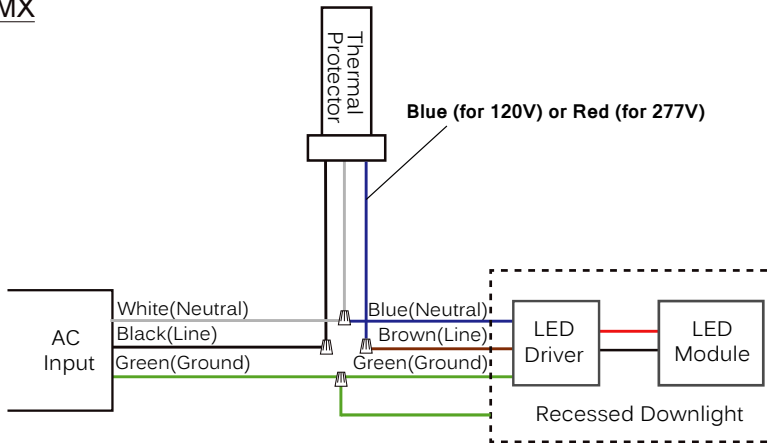


## Wiring Diagram

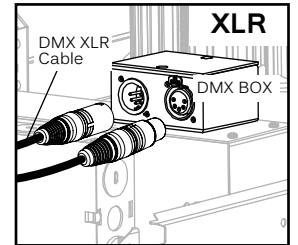
0-10V / Superior 0-10V



## DMX



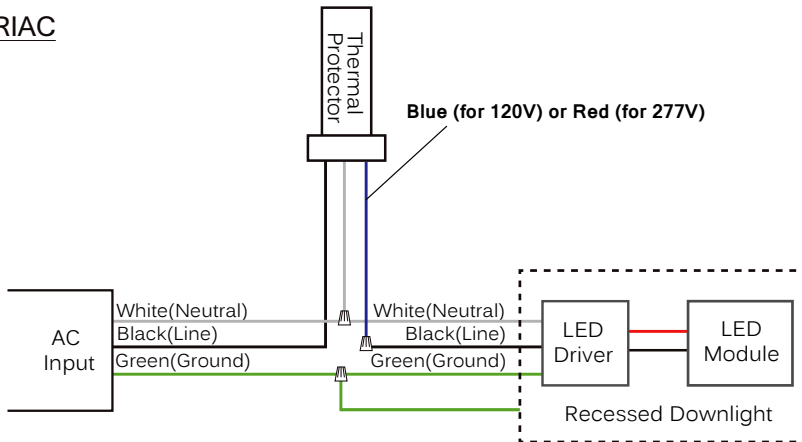
Connect DMX by using a standard shielded CAT5/6 cable.



Connect DMX by using a standard DMX512 XLR cable with 5 pin in/out connector (by others).

**\*The last fixture has to be terminated with a DMX Terminator (by others).**

## TRIAC



## Compatible TRIAC Dimmer List

LUTRON PART NO.

MRF2-6ND-120	HQRD-6NA
RRD-6NA	HQRD-6ND
RRD-10ND	SZ-6ND
HQRD-10ND	